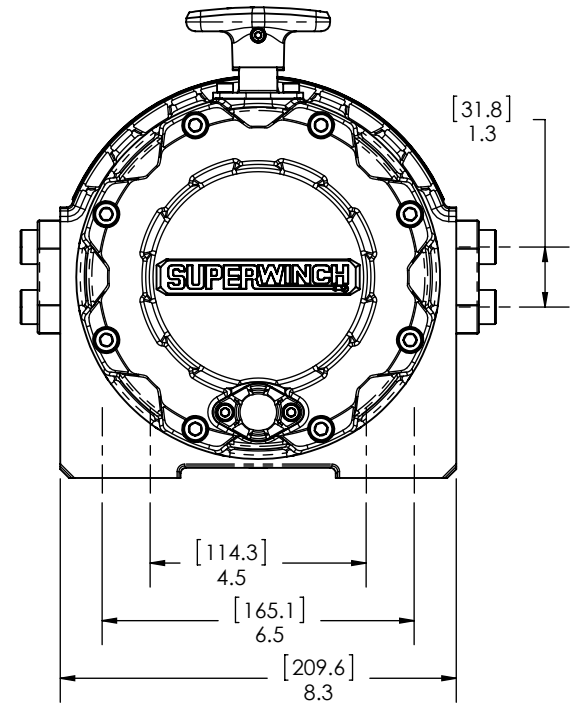
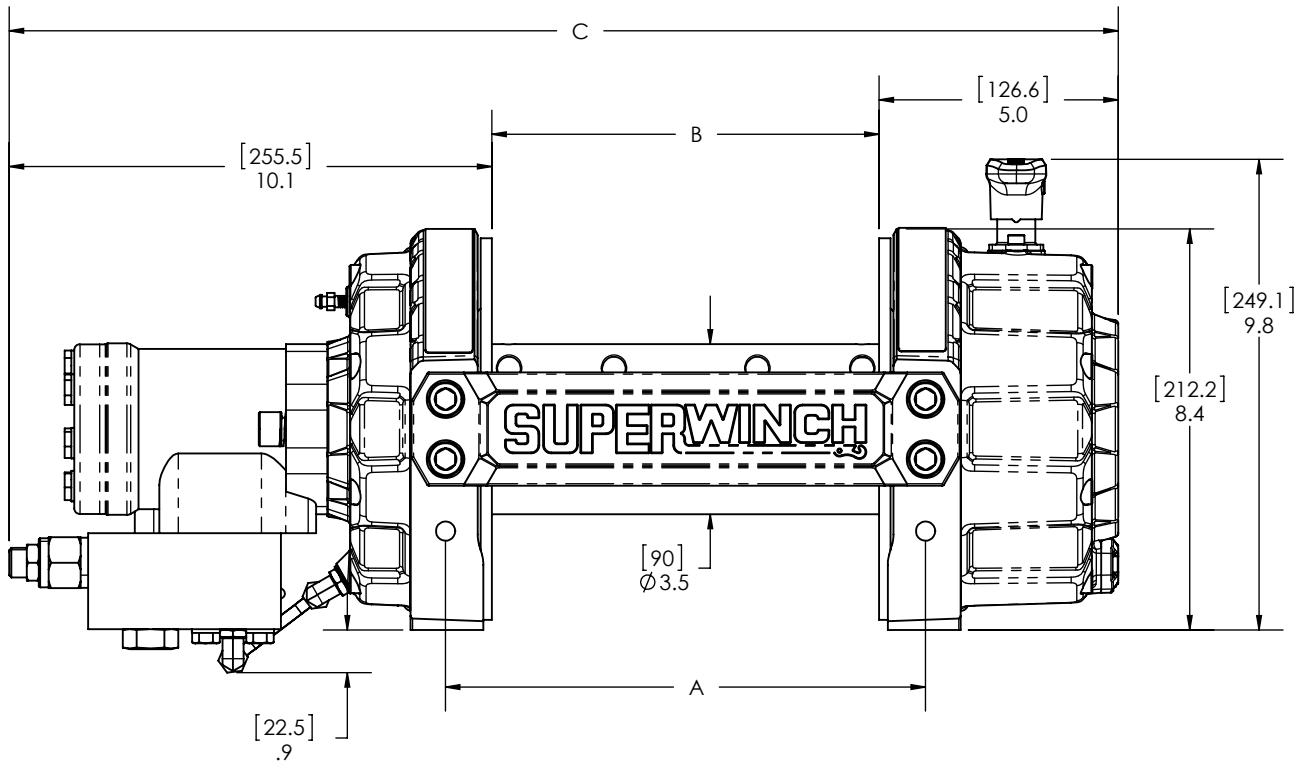


OVERALL DIMENSIONS

Units: IN [mm]



DIMENSION TABLE			
DRUM	A	B	C
SHORT	10.0 [254]	8.1 [204.9]	23.1 [587]
STANDARD	12.0 [304.8]	10.1 [256.5]	25.1 [637.5]
LONG	14.0 [355.6]	12.1 [307.3]	27.1 [688.3]